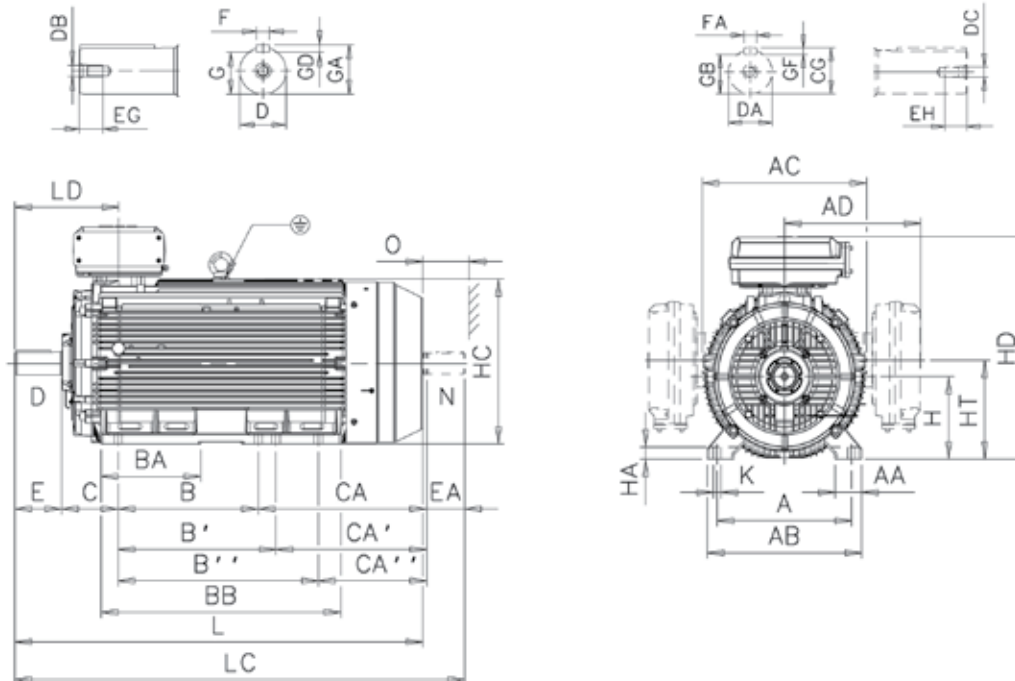


# LV Process performance cast iron motors and premium efficiency motors

## Sizes 355-450

### Dimension drawings

Foot-mounted: IM B3 (IM 1001), IM B6 (IM 1051), IM B7 (IM 1061), IM B8 (IM 1071),  
IM V5 (IM 1011), IM V6 (IM 1031)



Motor size	Poles	A	AA	AB	AC	AD <sup>1)</sup>	AD <sup>2)</sup>	B	B'	B''	BA	BB	C	CA	CA'	CA''	D	DA	DB	DC	E	EA	EG	EH
355 SM <sub>-</sub>	2	610	120	700	746	604	618	500	560	-	221	722	254	525	465	-	70	70	M20	M20	140	140	42	40
	4-12	610	120	700	746	604	618	500	560	-	221	722	254	525	465	-	100	90	M24	M24	210	170	51	51
355 ML <sub>-</sub>	2	610	120	700	746	604	618	560	630	-	267	827	254	500	570	-	70	70	M20	M20	140	140	42	40
	4-12	610	120	700	746	604	618	560	630	-	267	827	254	500	570	-	100	90	M24	M24	210	170	51	51
355 LK <sub>-</sub> <sup>4)</sup>	2	610	120	700	746	604	618	630	710	900	447	1077	254	750	670	480	70	70	M20	M20	140	140	42	40
	4-12	610	120	700	746	604	618	630	710	900	447	1077	254	750	670	480	100	90	M24	M24	210	170	51	51
400 L <sub>-</sub>	2	710	150	840	834	-	660	900	1000	-	410	1156	224	567	467	-	80	70	M20	M20	170	140	42	40
	4-12	710	150	840	834	-	660	900	1000	-	410	1156	224	567	467	-	110	90	M24	M24	210	170	50	51
400 LK <sub>-</sub> <sup>4)</sup>	2	686	150	840	834	-	660	710	800	900	410	1156	280	701	611	511	80	70	M20	M20	170	140	42	40
	4-12	686	150	840	834	-	660	710	800	900	410	1156	280	701	611	511	100	90	M24	M24	210	170	50	51
450 L <sub>-</sub>	2	800	160	950	966	-	-	1000	1120	1250	450	1420	250	-	-	-	80	-	M20	-	170	-	42	-
	4-12	800	160	950	966	-	-	1000	1120	1250	450	1420	250	737	617	487	120	100	M24	M24	210	210	50	50

Motor size	Poles	F	FA	G	GA	GB	GC	GD	GF	H	HA	HC	HD <sup>1)</sup>	HD <sup>2)</sup>	HD <sup>3)</sup>	HD	K	L	LC	LD	LD	O
													top-m.	top-m.	top-m.	side-m.				top-m.	side-m.	
355 SM <sub>-</sub>	2	20	20	62.5	74.5	62.5	74.5	12	12	355	52	725	944	958	-	843	35	1409	1559	397	679	130
	4-12	28	25	90	106	81	95	16	14	355	52	725	944	958	-	843	35	1479	1659	467	750	130
355 ML <sub>-</sub>	2	20	20	62.5	74.5	62.5	74.5	12	12	355	52	725	944	958	-	843	35	1514	1664	397	732	130
	4-12	28	25	90	106	81	95	16	14	355	52	725	944	958	-	843	35	1584	1764	467	802	130
355 LK <sub>-</sub> <sup>4)</sup>	2	20	20	62.5	74.5	62.5	74.5	12	12	355	52	725	944	958	-	843	35	1764	1914	397	857	130
	4-12	28	25	90	106	81	95	16	14	355	52	725	944	958	-	843	35	1834	2014	467	927	130
400 L <sub>-</sub>	2	22	20	71	85	67.5	79.5	12	12	400	45	814	-	1045	-	943	35	1851	2001	458	909	150
	4-12	28	25	90	116	81	95	16	14	400	45	814	-	1045	-	943	35	1891	2071	498	949	150
400 LK <sub>-</sub> <sup>4)</sup>	2	22	20	71	85	67.5	79.5	14	12	400	45	814	-	1045	-	943	35	1851	2001	458	909	150
	4-12	28	25	90	106	81	95	16	14	400	45	814	-	1045	-	943	35	1891	2071	498	949	150
450 L <sub>-</sub>	2	22	-	71	85	-	-	14	-	450	46	933	-	1169	1231	-	42	2147	-	485	-	180
	4-12	32	28	109	127	100	116	18	16	450	46	933	-	1169	1231	-	42	2187	2407	525	-	180

#### Tolerances:

A, B ± 0,8  
D, DA ISO m6  
F, FA ISO h9  
H +0 -1,0  
N ISO j6  
C, CA ± 0,8

- 1) Terminal box 370
- 2) Terminal box 750
- 3) Terminal box 1200
- 4) Size with alternative dimensions

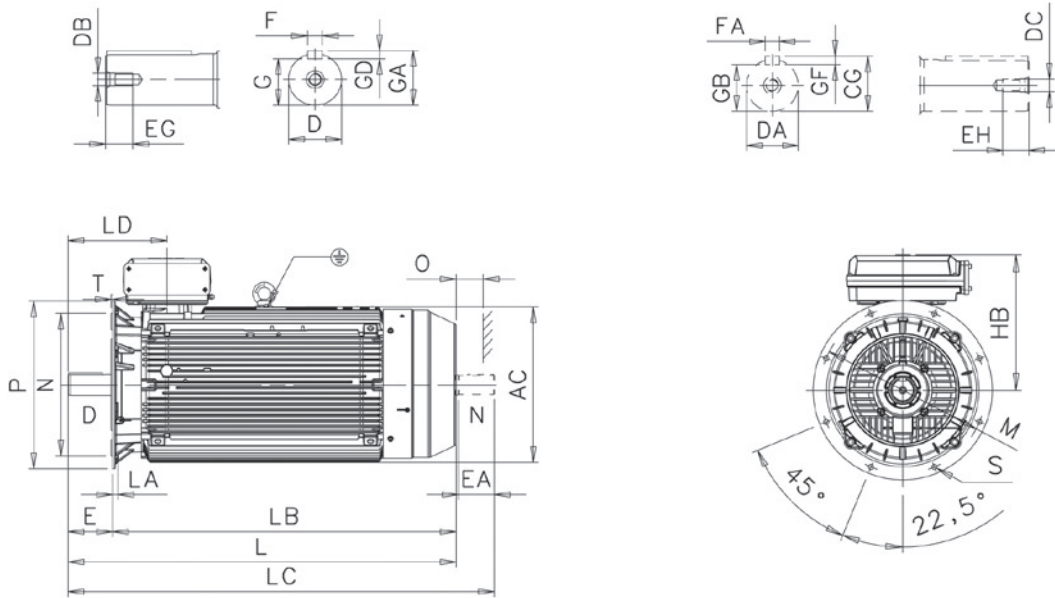
Above table gives the main dimensions in mm.  
For detailed drawings please see our web-pages  
'[www.abb.com/motors&generators](http://www.abb.com/motors&generators)' or contact ABB.

# LV Process performance cast iron motors and premium efficiency motors

## Sizes 355-450

### Dimension drawings

Flange-mounted; IM B5 (IM 3001) , IM V1 (IM 3011), IM V3 (IM 3031), IM B14 (IM 3601),  
IM V18 (IM 3611) and IM V19 (IM 3631)



M000305

2

Motor size	Poles	AC	D	DA	DB	DC	E	EA	EG	EH	F	FA	G	GA	GB	GC	GD	GF
355 SM <sub>-</sub>	2	740	70	70	M20	M20	140	140	42	40	20	20	62.5	74.5	62.5	74.5	12	12
	4-12	740	100	90	M24	M24	210	170	51	51	28	25	90	106	81	95	16	14
355 ML <sub>-</sub>	2	740	70	70	M20	M20	140	140	42	40	20	20	62.5	74.5	62.5	74.5	12	12
	4-12	740	100	90	M24	M24	210	170	51	51	28	25	90	106	81	95	16	14
355 LK <sub>-</sub> <sup>4)</sup>	2	740	70	70	M20	M20	140	140	42	40	20	20	62.5	74.5	62.5	74.5	12	12
	4-12	740	100	90	M24	M24	210	170	51	51	28	25	90	106	81	95	16	14
400 L <sub>-</sub>	2	814	80	70	M20	M20	170	140	42	40	22	20	71	85	67.5	79.5	12	12
	4-12	814	110	90	M24	M24	210	170	50	50	28	25	100	116	81	95	16	14
400 LK <sub>-</sub> <sup>4)</sup>	2	814	80	70	M20	M20	170	140	42	40	22	20	71	85	67.5	79.5	12	12
	4-12	814	100	90	M24	M24	210	170	50	50	28	25	90	106	81	95	16	14
450 L <sub>-</sub>	2	966	80	-	M20	-	170	-	42	-	22	-	71	85	-	-	14	-
	4-12	966	120	100	M24	M24	210	210	50	50	32	28	109	127	100	116	18	16

Motor size	Poles	HB <sup>1)</sup>	HB <sup>2)</sup>	HB <sup>3)</sup>	L	LA	LB	LC	LD <sup>1)</sup>	LD <sup>2)</sup>	LD <sup>3)</sup>	M	N	O	P	S	T
355 SM <sub>-</sub>	2	589	603	-	1409	25	1269	1559	397	397	-	740	680	130	800	23	6
	4-12	589	603	-	1479	25	1269	1659	467	467	-	740	680	130	800	23	6
355 ML <sub>-</sub>	2	589	603	-	1514	25	1374	1664	397	397	-	740	680	130	800	23	6
	4-12	589	603	-	1584	25	1374	1764	467	467	-	740	680	130	800	23	6
355 LK <sub>-</sub> <sup>4)</sup>	2	589	603	-	1764	25	1624	1914	397	397	-	740	680	130	800	23	6
	4-12	589	603	-	1834	25	1624	2014	467	467	-	740	680	130	800	23	6
400 L <sub>-</sub>	2	-	645	-	1851	26	1681	2001	458	458	-	940	880	150	1000	28	6
	4-12	-	645	-	1891	26	1681	2071	498	498	-	940	880	150	1000	28	6
400 LK <sub>-</sub> <sup>4)</sup>	2	-	645	-	1851	26	1681	2001	458	458	-	740	680	150	800	24	6
	4-12	-	645	-	1891	26	1681	2071	498	498	-	740	680	150	800	24	6
450 L <sub>-</sub>	2	-	719	843	2147	33	1937	-	-	485	520	1080	1000	180	1150	28	6
	4-12	-	719	843	2187	33	1977	2407	-	525	560	1080	1000	180	1150	28	6

**Tolerances:**

D, DA ISO m6 N ISO js6 (315<sub>-</sub>)  
F, FA ISO h9

- 1) Terminal box 370
- 2) Terminal box 750
- 3) Terminal box 1200
- 4) Size with alternative dimensions

Above table gives the main dimensions in mm.  
For detailed drawings please see our web-pages  
'[www.abb.com/motors&generators](http://www.abb.com/motors&generators)' or contact ABB.