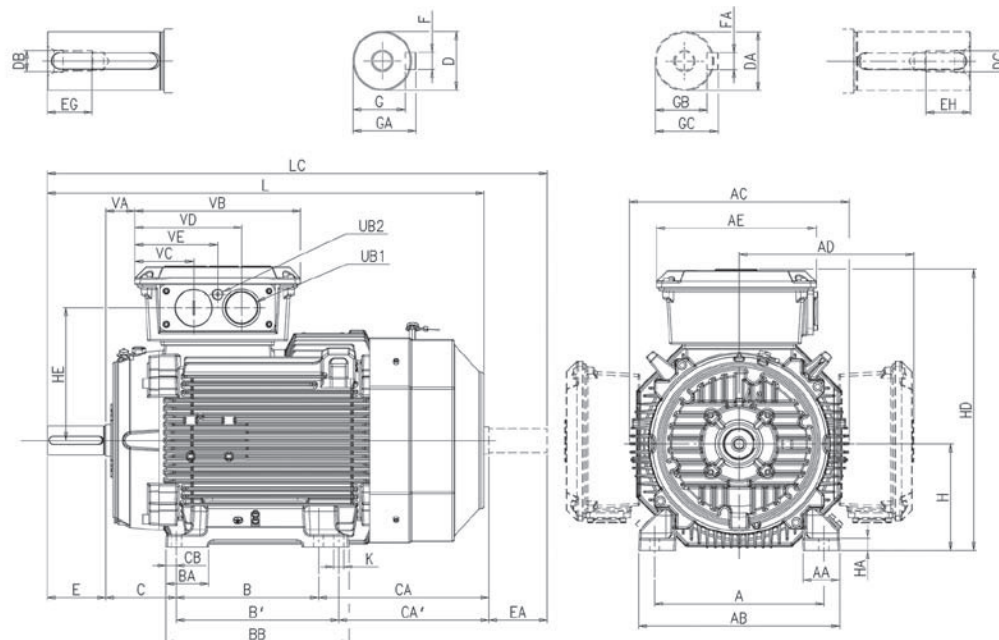


LV Process performance cast iron motors and premium efficiency motors

Sizes 160-250

Dimension drawings

Foot-mounted: IM B3 (IM 1001), IM B6 (IM 1051), IM B7 (IM 1061), IM B8 (IM 1071),
IM V5 (IM 1011), IM V6 (IM 1031)



M0000404

Motor size	Poles	A	AA	AB	AC	AD	AE	B	B'	BA	BB	C	CA	CA'	CB	D	DA	DB	DC	E	EA	EG	EH
160 ¹⁾	2-8	254	67	310	338	261	257	210	254	69	294	108	164	126	20	42	32	M16	M12	110	80	36	28
160 ²⁾	2-8	254	67	310	338	261	257	210	254	69	294	108	262	224	20	42	32	M16	M12	110	80	36	28
180	2-8	279	67	340	381	281	257	241	279	68	335	121	263	225	19	48	32	M16	M12	110	80	36	28
200	2-8	318	69	378	413	328	300	267	305	80	378	133	314	276	20	55	45	M20	M16	110	110	42	36
225	2	356	84	435	460	348	300	286	311	69	351	149	314	289	20	55	55	M20	M20	110	110	42	42
225	4-8	356	84	435	460	348	300	286	311	69	351	149	314	289	20	60	55	M20	M20	140	110	42	42
250	2	406	92	480	508	376	300	311	349	69	392	168	281	243	23	60	55	M20	M20	140	110	42	42
250	4-8	406	92	480	508	376	300	311	349	69	392	168	281	243	23	65	55	M20	M20	140	110	42	42

Motor size	Poles	F	FA	G	GA	GB	GC	H	HA	HD	HE	K	L	LC	UB1	UB2	VA	VB	VC	VD	VE
160 ¹⁾	2-8	12	10	37	45	27	35	160	23	421	195	14.5	583	671.5	M40	M16	49	257	95	162	129
160 ²⁾	2-8	12	10	37	45	27	35	160	23	421	195	14.5	681	768.5	M40	M16	49	257	95	162	129
180	2-8	14	10	42.5	51.5	27	35	180	23	461	215	14.5	726	815	M40	M16	62	257	95	162	129
200	2-8	16	14	49	59	39.5	48.5	200	23	528	249	18.5	821	934	M63	M16	55	311	111	201	156
225	2	16	16	49	59	49	59	225	23	573	269	18.5	849	971	M63	M16	48	311	111	201	156
225	4-8	18	16	53	64	49	59	225	23	573	269	18.5	879	1001	M63	M16	48	311	111	201	156
250	2	18	16	53	64	49	59	250	23	626	297	24	884	1010	M63	M16	48	311	111	201	156
250	4-8	18	16	58	69	49	59	250	23	626	297	24	884	1010	M63	M16	48	311	111	201	156

Tolerances

A, B ISO js14
C, CA ± 0.8
D, DA ISO k6 < Ø 50mm
 ISO m6 > Ø 50mm
F, FA ISO h9
H +0 -0.5

M3BP:

¹⁾ MLA-2, MLB-2, MLC-2, MLA-4, MLA-6, MLA-8 and MLB 8-poles
²⁾ MLD-2, MLE-2, MLB-4, MLC-4, MLD-4, MLB-6, MLC-6 and MLC-8 poles

M4BP:

¹⁾ MLA-2
²⁾ MLB-2, MLC-2, all 4- and 6-poles

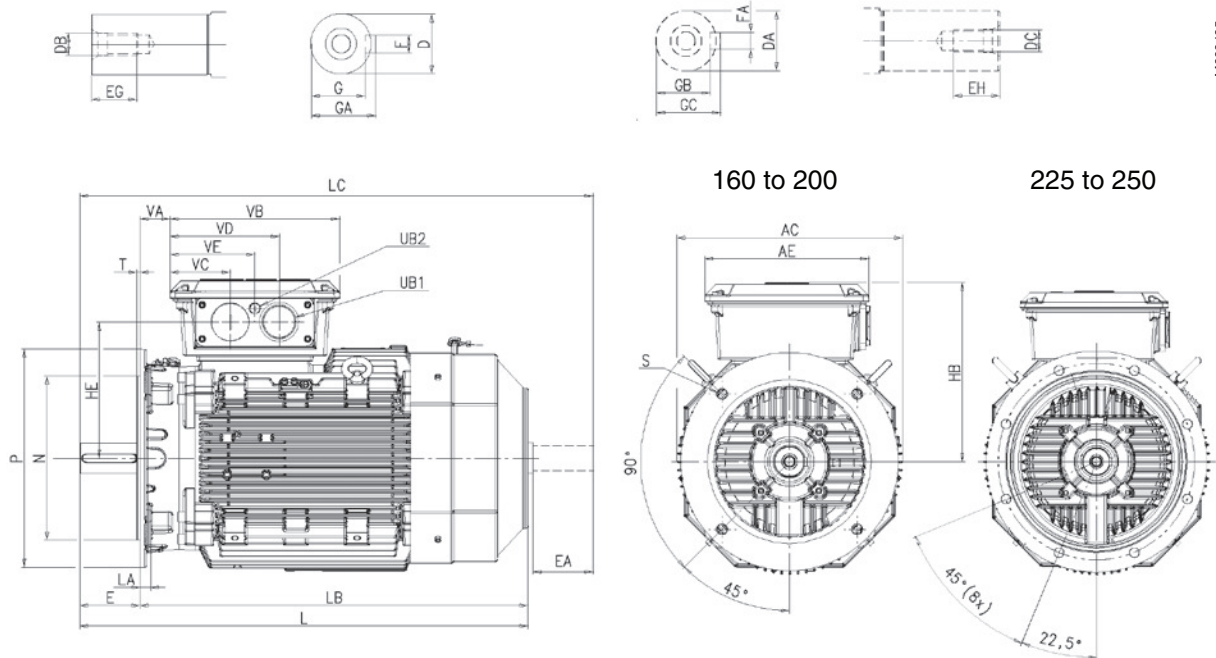
Above table gives the main dimensions in mm.
 For detailed drawings please see our web-pages
 'www.abb.com/motors&generators' or contact ABB.

LV Process performance cast iron motors and premium efficiency motors

Sizes 160-250

Dimension drawings

Flange-mounted; IM B5 (IM 3001) , V1 (IM 3011), V3 (IM 3031) and IM B14 (IM 3601), V18 (IM 3611), V19 (IM 3631)



M000405

2

Motor size	Poles	AC	AE	D	DA	DB	DC	E	EA	EG	EH	F	FA	G	GA	GB	GC	HB	HE
160 ¹⁾	2-8	338	257	42	32	M16	M12	110	80	36	28	12	10	37	45	27	35	261	195
160 ²⁾	2-8	338	257	42	32	M16	M12	110	80	36	28	12	10	37	45	27	35	261	195
180	2-8	381	257	48	32	M16	M12	110	80	36	28	14	10	42.5	51.5	27	35	281	215
200	2-8	413	300	55	45	M20	M16	110	110	42	36	16	14	49	59	39.5	48.5	328	249
225	2	460	300	55	55	M20	M20	110	110	42	42	16	16	49	59	49	59	348	269
225	4-8	460	300	60	55	M20	M20	140	110	42	42	18	16	53	64	49	59	325	269
250	2	508	300	60	55	M20	M20	140	110	42	42	18	16	53	64	49	59	376	297
250	4-8	508	300	65	55	M20	M20	140	110	42	42	18	16	58	69	49	59	376	297

Motor size	Poles	L	LA	LB	LC	M	N	P	S	T	UB1	UB2	VA	VB	VC	VD	VE
160 ¹⁾	2-8	583	20	473	671.5	300	250	350	19	5	M40	M16	49	257	95	162	129
160 ²⁾	2-8	681	20	571	768.5	300	250	350	19	5	M40	M16	49	257	95	162	129
180	2-8	726	20	616	815	300	250	350	19	5	M40	M16	62	257	95	162	129
200	2-8	821	20	711	934	350	300	400	19	5	M63	M16	55	311	111	201	156
225	2	849	20	739	971	400	350	450	19	5	M63	M16	48	311	111	201	156
225	4-8	879	20	769	1001	400	350	450	19	5	M63	M16	48	311	111	201	156
250	2	884	24	744	1010	500	450	550	19	5	M63	M16	48	311	111	201	156
250	4-8	884	24	744	1010	500	450	550	19	5	M63	M16	48	311	111	201	156

Tolerances

D, DA ISO k6 < Ø 50mm
ISO m6 > Ø 50mm
F, FA ISO h9
N ISO j6

M3BP:

¹⁾ MLA-2, MLB-2, MLC-2, MLA-4, MLA-6, MLA-8 and MLB 8-poles
²⁾ MLD-2, MLE-2, MLB-4, MLC-4, MLD-4, MLB-6, MLC-6 and MLC-8 poles

M4BP:

¹⁾ MLA-2
²⁾ MLB-2, MLC-2, all 4- and 6-poles

Above table gives the main dimensions in mm.
For detailed drawings please see our web-pages
'www.abb.com/motors&generators' or contact ABB.