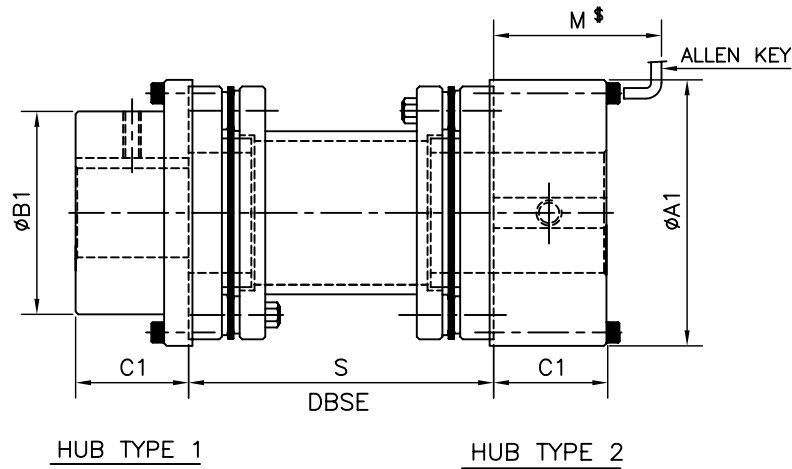


◎ DISC-O-FLEX SPACER COUPLING TYPE - RSK



COUP. SIZE	KW AT 100 RPM	TORQUE Nm	MAX. BORE		STD. DBSE 'S'	C1	øA1	øB1	M \$	Weight in kg.		M.I. in kgm. ²	
			TYPE 1	TYPE 2						Min. Std. 'S'	Per Mtr. Extra 'S'	Min. std. 'S'	Per Mtr. Extra 'S'
13	1.3	124	36	51	100	40	86	54	90	3.49	2.29	0.0034	0.0005
33	3.3	315	46	70	140	45	105	69	105	5.94	3.19	0.0089	0.0011
75	7.5	716	65	90	180	55	130	90	120	10.96	4.74	0.0262	0.0034
135	13.5	1289	80	102	250	62	152	112	127	17.64	8.39	0.0585	0.0089
230	23.0	2196	90	121		70	179	131	135	27.74	13.09	0.1303	0.0212
350	35.0	3342	115	-	180	90	197	163	155	37.77	21.74	0.2091	0.0561
500	50.0	4775	127	-	250	95	222	181	160	50.87	21.76	0.3567	0.0562
740	74.0	7066	140	-		107	247	206	172	71.16	27.08	0.6125	0.067
930	93.0	8881	155	-		115	272	223	190	90.0	42.8	0.9502	0.1666
1400	140.0	13369	172	-		130	297	248	215	121.5	42.9	1.5355	0.1667

NOTES:-

- * NON STANDARD DBSE AVAILABLE ON REQUEST.
- * AVAILABLE FOR NON-SPARKING APPLICATION ON REQUEST.
- * PLEASE SPECIFY TYPE OF HUB.
- * WEIGHT & M.I. ARE APPROXIMATE & AT MAX. BORES WITH MIN. STD. DBSE WITH TYPE 1/2 HUB COMBINATION FOR COUPLING SIZE RSK-13 TO RSK-230 & 1/1 HUB COMBINATION FOR COUPLING SIZE RSK-350 TO RSK-1400
- * \$ 'M' IS ONLY FOR HUB TYPE II.
- * HUB COMBINATIONS : 1/1, 1/2, 2/2 (RSK-13 TO RSK-230)
1/1 (RSK-350 TO RSK-1400)

		TITLE: ◎		MATERIAL -			SCALE: NTS	
		PARTY		TRACED			REF.NO:	
		RATHI RATHI TRANSPOWER PVT LTD PUNE 411006		DRAWN SMS 14.01.07			DRG.NO.R/LM-2401/0	
				CHECKED PRP 14.01.07				
				APPROVED USD 14.01.07				
REV	SIGN	ALTERATION	DATE					