

RATHI MUFF COUPLINGS are rigid coupling, designed for use in system where **misalignment is neither present nor desired**. These coupling offer an easy & cost effective method for extending a shaft or adapting between two different shaft sizes.



- Does not Mar the shaft.
- High tensile fasteners assure firm tightening, prevent loosening under vibrations.
- Alternate clamping takes care of better balancing.
- Precision bores makes it easy, simple for quick assembly & alignment.

F E A T U R E S

SIMPLICITY OF CONSTRUCTION

Very few components easy for assembly & dismantling.

NO LUBRICATION

Due to rigid connecting no lubrication is required.

SIMPLE / EASY MAINTENANCE

Their high torque capabilities makes them suitable for higher rpm power transmission applications.

LOW OPERATIONAL COST

As no lubrication is required & maintenance is minimal, operational cost is very low.

SMOOTH & QUIET OPERATION

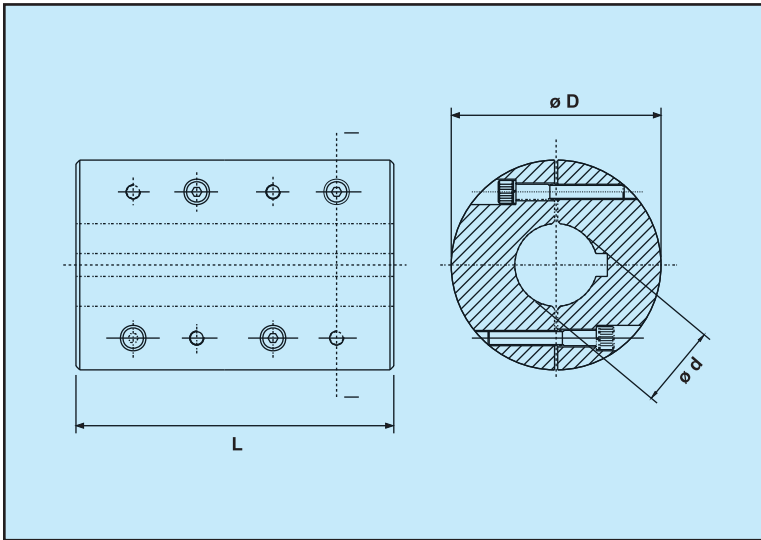
No moving part hence noiseless operation.

Application :

Various types are available to suit different application needs such as :

- Grooved muff couplings for vertical applications.
- Through bore muff couplings.
- Stepped bore muff couplings.
- 3 Piece couplings.
- Ribbed muff couplings.

All above can be made in different material-Cast Iron, Carbon steel Aluminium, Stainless



ORDERING EXAMPLE :

*** FOR THROUGH BORES**

d = 55 mm

Muff Coupling Size - MC 55

*** FOR STEPPED BORES**

d = 55 mm & 60 mm

Muff coupling Size - MC 55 / 60

(Ref overall dimensions of MC 60)

TECHNICAL DATA

Coupling Size	Max. Bore ø d	Torque (Nm)		Allen Head Screws	Outside Diameter D	Length L
		With Key	Without Keyway			
MC 20	20	352	235	8 - M 8	60	100
MC 25	25	668	445	8 - M 10	80	130
MC 30	30	801	534	8 - M 10	80	130
MC 35	35	1126	750	8 - M 10	80	160
MC 40	40	1247	831	8 - M 10	80	160
MC 45	45	1546	1230	8 - M 10	100	190
MC 50	50	2052	1366	8 - M 10	100	190
MC 55	55	3015	2010	8 - M 10	120	220
MC 60	60	3286	2190	8 - M 10	120	220
MC 70	70	4836	3224	10 - M 12	140	250
MC 80	80	6804	4535	10 - M 12	160	280
MC 90	90	8383	5588	10 - M 16	180	310
MC 100	100	12480	8320	12 - M 16	200	350
MC 110	110	15840	10560	12 - M 16	220	390
MC 120	120	20646	13764	14 - M 16	250	430
MC 140	140	32634	21756	14 - M 20	280	490
MC 160	160	45120	30080	14 - M 24	320	560
MC 180	180	67392	44928	14 - M 24	360	630
MC 200	200	82680	55120	14 - M 27	400	700
MC 220	220	109048	72730	16 - M 30	450	770
MC 240	240	138384	92250	16 - M 30	480	840
MC 260	260	164424	109160	16 - M 36	520	910
MC 280	280	205422	136900	16 - M 42	570	980

All Dimensions are in mm unless otherwise specified.

In view of our constant endeavour to improve quality of our products, we reserve the right to alter or change specifications without prior notice. This document is the intellectual property of Rathi Transpower Pvt. Ltd. and subject to copyright.



Rathi Transpower Pvt Ltd

Rathi Chambers, 7, Deccan College Road,
Pune 411 006.(INDIA)
Phone : 91-20-30517201
Fax : 91-20-30517212
E-mail : enquiry@rathigroup.com
Website : www.rathitranspower.com

Distributor