



SWF / HF

Special Features :

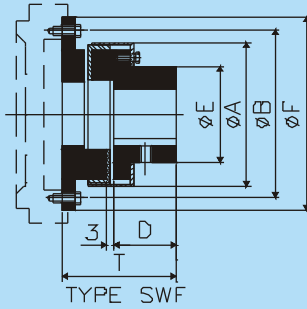
Std. duty flange type coupling. The couplings permit close coupled unit. Reduce assembly and installation time. Couplings eliminate extension shaft / jack shaft... Cut original equipment costs and can be mounted directly on engine flywheel.

Applications :

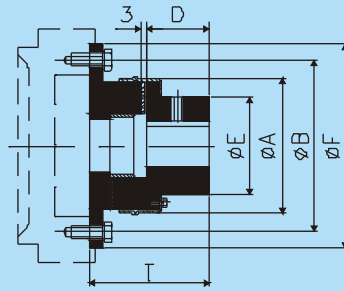
Equipment assembled with gasoline engines.



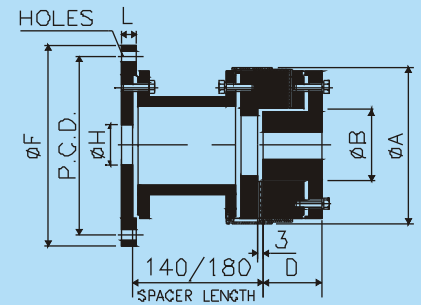
SWSF



TYPE SWF



TYPE HF



TYPE SWSF

TECHNICAL DATA (SWF / HF)

SAE Size (Inch)	*	Coupling Size	Rating kW/100 rpm	Flange Dimensions Inch				Hub Dimensions mm					
				O.D. Ø F	P.C.D. Ø B	No. of Holes	Hole Dia.	O.D. Ø A	Hub Dia. Ø E	Length thru' Bore D	Overall length T	Bore	
												Min.	Max.
6 1/2"	# 5	SWF 226	3.43	8 1/2"	7 7/8"	6	21/64"	153	119	70	136	25	70
8"	—	SWF 226	3.43	10 3/8"	9 5/8"	6	13/32"	153	119	70	136	25	70
		SWF 276	5.60					173	127	80	148	25	75
10"	# 3&4	SWF 226	3.43	12 3/8"	11 5/8"	8	13/32"	153	119	70	136	25	70
		SWF 280	8.20					208	140	80	148	30	80
11 1/2"	# 2&3	SWF 190	2.01	13 7/8"	13 1/8"	8	13/32"	129	102	54	107	15	60
		SWF 225	2.76					142	111	64	117	15	65
		SWF 226	3.43					153	119	70	136	25	70
		SWF 276	5.60					173	127	80	148	25	75
		SWF 280	8.20					208	140	80	148	30	80
		SWF 2955	22.4					253	180	108	184	30	105
14"	# 1	SWF 226	3.43	18 3/8"	17 1/4"	8	17/32"	153	119	70	136	25	70
		SWF 276	5.60					173	127	80	148	25	75
		SWF 280	8.20					208	140	80	148	30	80
		SWF 295	13.4					253	162	95	171	30	95
		SWF 2955	22.4					253	180	108	184	30	105
		HF 3067	55.9					262	180	121	202	60	105
16"	# 1/2	HF 3067	55.9	20 3/8"	19 1/4"	8	17/32"	262	180	121	202	60	105
		HF 3567	74.6					288	197	127	215	60	115

TECHNICAL DATA (SWSF)

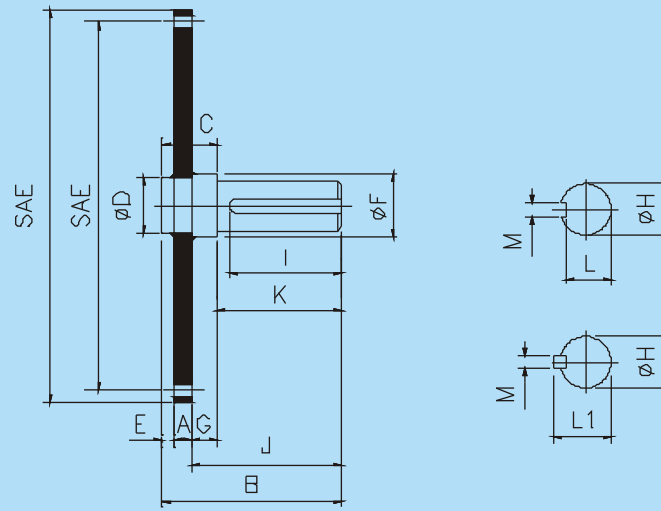
SAE Size (Inch)	Coupling Size	Rated Torque Nm	kW Rating at 1500 rpm	O.D. Ø A	Hub Dia. Ø B	Length thru' bore D	Bore	
							Min.	Max.
10"	226	327	51.45	153	60	60	25	36
	276	532	84.00	173	70	60	25	42
	280	782	123.00	208	90	65	30	55
11 1/2"	226	327	51.45	153	60	60	25	36
	276	532	84.00	173	70	60	25	42
	280	782	123.00	208	90	65	30	55
	2955	2132	336.00	253	106	80	30	65
14"	226	327	51.45	153	60	60	25	36
	276	532	84.00	173	70	60	25	42
	280	782	123.00	208	90	65	30	55
	295	1279	201.00	253	106	80	30	65
	2955	2132	336.00	253	106	80	30	65

FLANGE DETAILS (FOR SWSF)

SAE size (Inch)	Flange O.D. Ø F	P.C.D. of Holes	No. of Holes	Hole Dia.	L mm	Ø H mm
10"	12 3/8"	11 5/8"	8	13/32"	16	T O
11 1/2"	13 7/8"	13 1/8"	8	13/32"	16	S U I T
14"	18 3/8"	17 1/4"	8	17/32"	20	

• All dimensions are in mm, unless otherwise noted.

* Preferred SAE flywheel connection.



TYPE SSI

TECHNICAL DATA

SAE Model	A	B	C	Ø D	E	Ø F	G	Ø H	I	J	K	SAE Flange (Inches)			
												OD	PCD	No. of Holes	Hole Dia.
SSI 10" x 1.625"	14	144	44	42	10	80	20	1.625"	90	120	100	12 3/8	11 5/8	8	13/32
SSI 10" x 2"	14	144	44	48	10	90	20	2.0"	90	120	100	12 3/8	11 5/8	8	13/32
SSI 11.5" x 2"	14	144	44	48	10	90	20	2.0"	90	120	100	13 7/8	13 1/8	8	13/32
SSI 14" x 2.75"	18	243	53	80	15	120	20	2.75"	170	210	190	18 3/8	17 1/4	8	17/32
SSI 14" x 3.5"	18	243	53	95	15	130	20	3.5"	170	210	190	18 3/8	17 1/4	8	17/32

SHAFT DIMENSIONS

Ø H	+ 0.001" M - 0.000	+ 0.006" L - 0.000	L1
+ 0.0007" 1.625" + 0.0001"	0.437"	1.433"	1.745"
+ 0.0008" 2.00" + 0.0001"	0.499"	1.804"	2.116"
+ 0.0012" 2.75" + 0.0005"	0.749"	2.445"	2.945"
+ 0.0014" 3.50" + 0.0005"	0.874"	3.124"	3.749"

- All dimensions are in mm, otherwise specified.

In view of our constant endeavour to improve quality of our products, we reserve the right to alter or change specifications without prior notice. This document is the intellectual property of Rathi Transpower Pvt. Ltd. and subject to copyright.



Rathi Transpower Pvt Ltd
 Rathi Chambers, 7, Deccan College Road,
 Pune 411 006, (INDIA)
 Phone : 91-20-30517201
 Fax : 91-20-30517212
 E-mail : enquiry@rathigroup.com
 Website : www.rathicouplings.com

Distributor